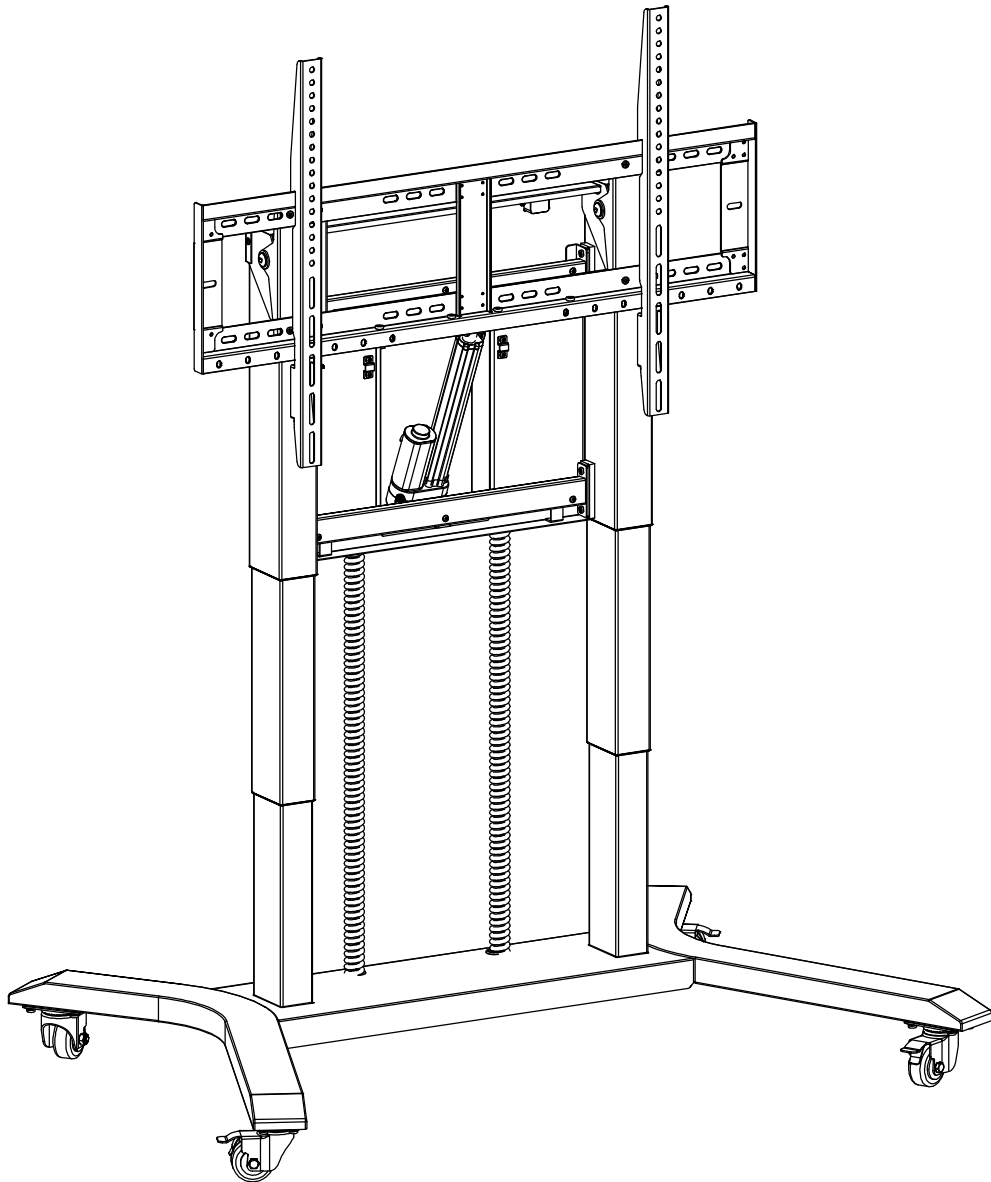


commBOX Tilt Installation Manual

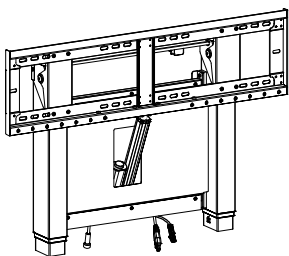


SKU: CBMOBT

Suitable for up to 86" Screens

Load capacity 80Kg

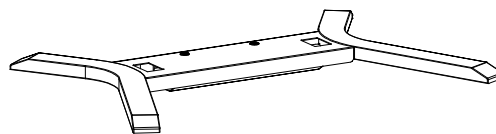
● Parts Identification:



A--Column
1pc



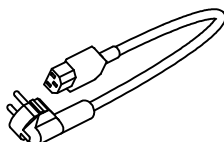
B--Bracket
2pcs



C--Base
1pc



D--Castor
4pcs



E--Power line
1pc

● Hardware Identification:



1 M6*10 Screw
2pcs



2 M6*20 Screw
8pcs



3 M8*20 Screw
16pcs



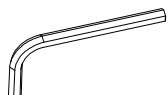
4 M8 Washer
16pcs



5 M8 Spring Washer
16pcs


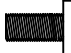






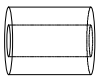
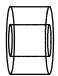

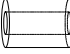


6 4mm Allen Key
1pc



7 5mm Allen Key
1pc

● Hardware for screen assembly:

					
a--M4X12 bolt 4 pcs	b--M6X12 bolt 4 pcs	c--M8X25 bolt 4 pcs	d--M4X30 bolt 4 pcs	e--M6X35olt 4 pcs	f--M8X45 bolt 4 pcs

					
g--M8X22mm spacer 4 pcs	h--M8X10mm spacer 4 pcs	i--2.5mm spacer 8 pcs	j--M4/M6X17mm spacer 4 pcs	k--M4/M5 washer 4 pcs	l--M6 washer 4 pcs

Step 1: Install the Castor (D) install to the base (C), as Figure 1

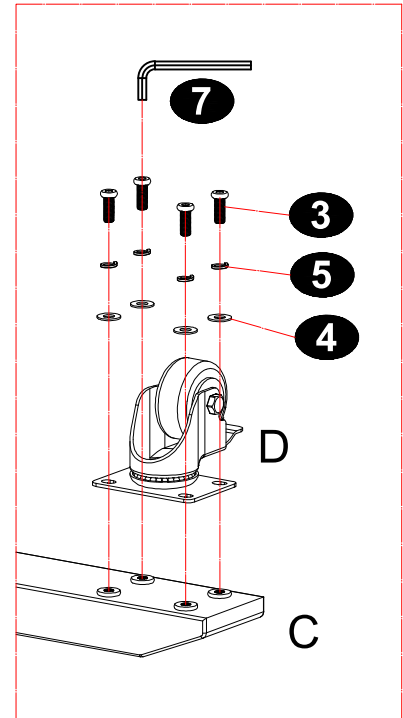
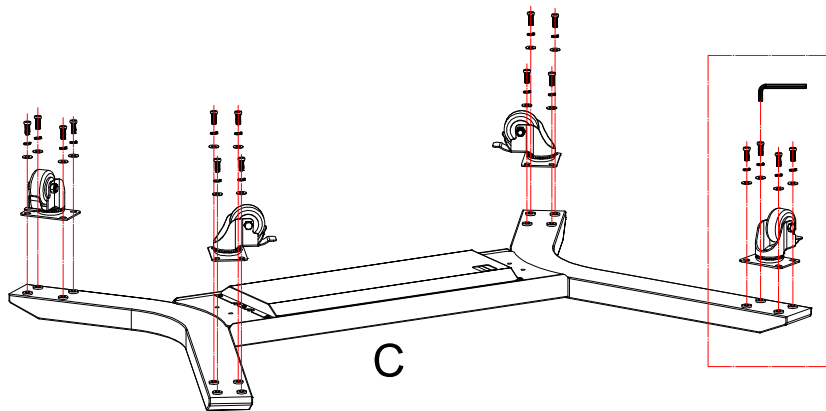


Figure 1

Step 2: Install the column to the base

1) Insert the column (A) into the base (C), as Figure 2

2) Use the M6*20 Screw (2) to fix the column (A) to the bottom of the base (C), as Figure 3.

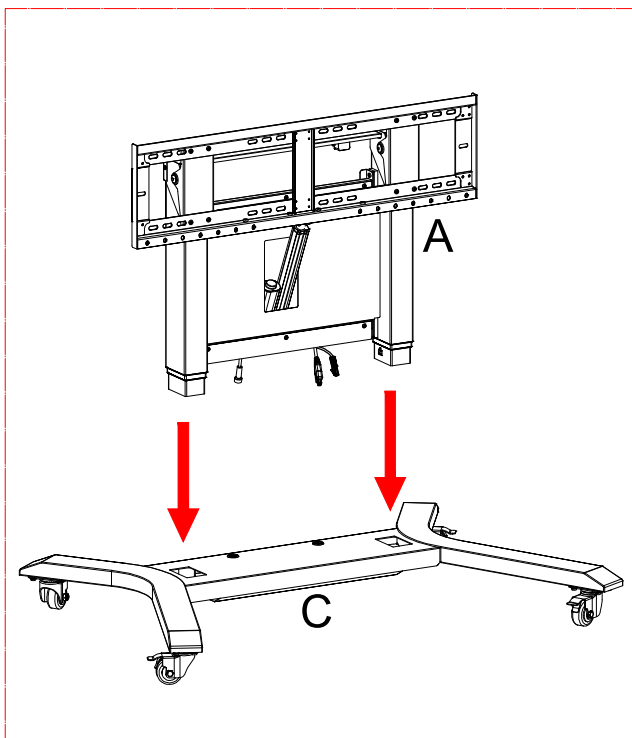


Figure 2

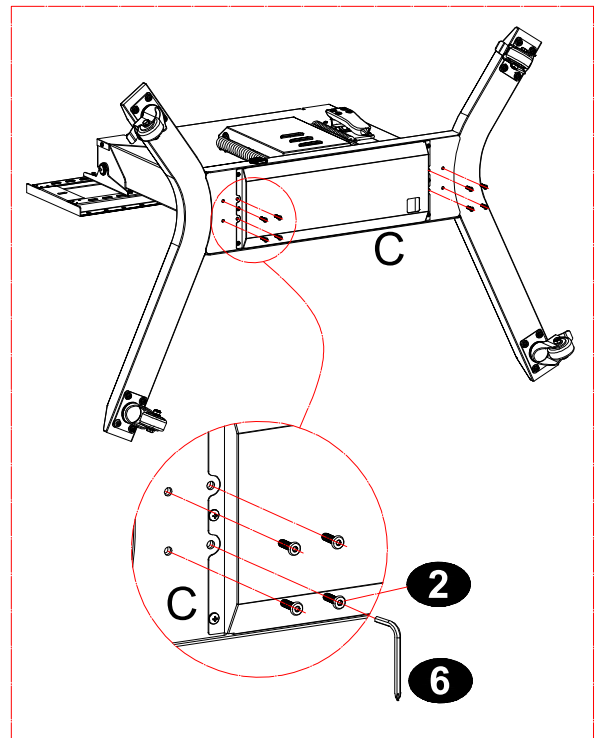


Figure 3

Step3: Connect the wire

1)Remove the cover plate (F) at the bottom of the base (C) and the inside wire locking plate (G) , as Figures 4 and 5.

2)Feed the wires from the column (A) into the base (C), as Figure 6

3)Connect the wires as Figure 7

4)Install the lock plate (G) and the cover plate (F), as Figures 8 and 9.

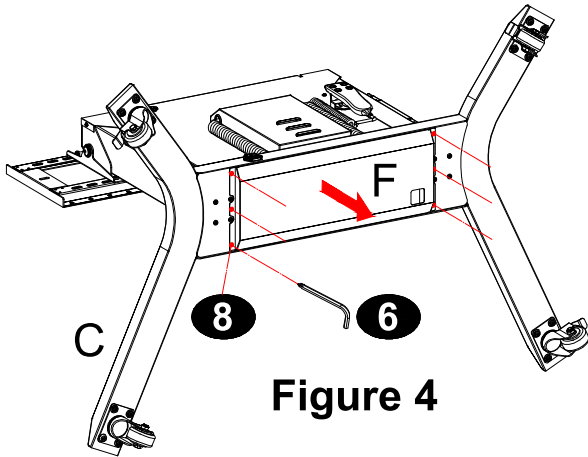


Figure 4

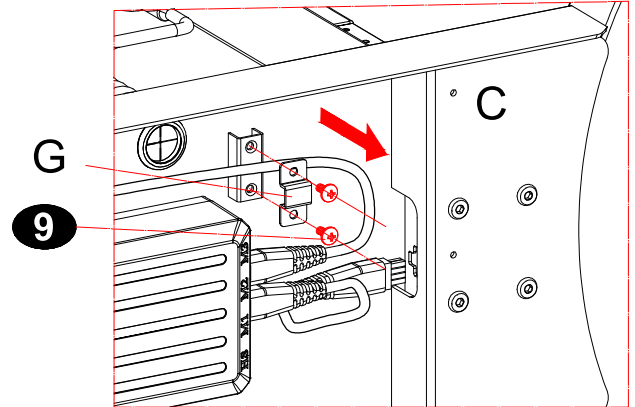


Figure 5

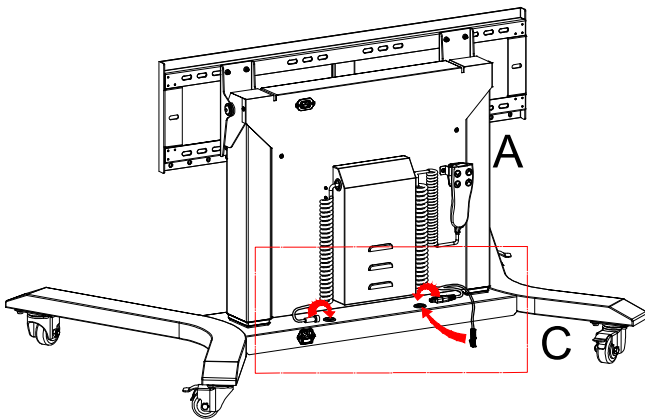


Figure 6

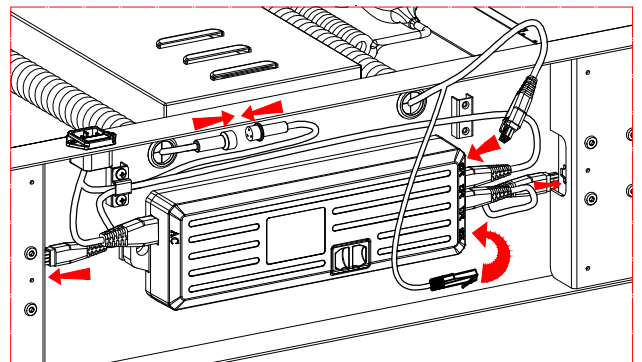
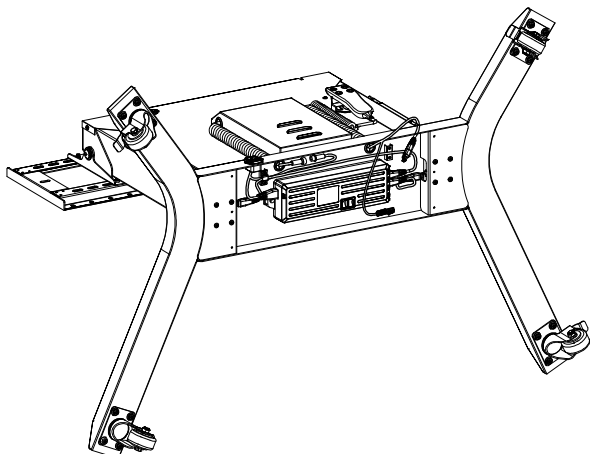
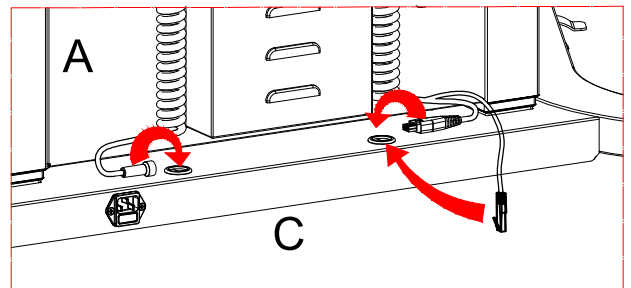


Figure 7

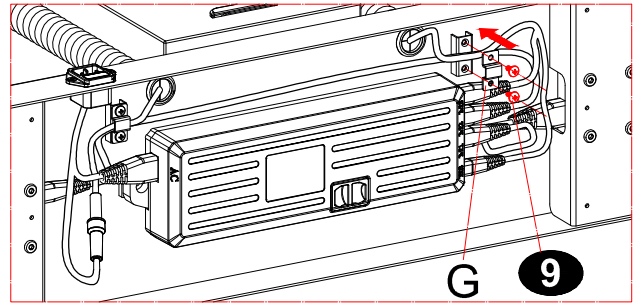
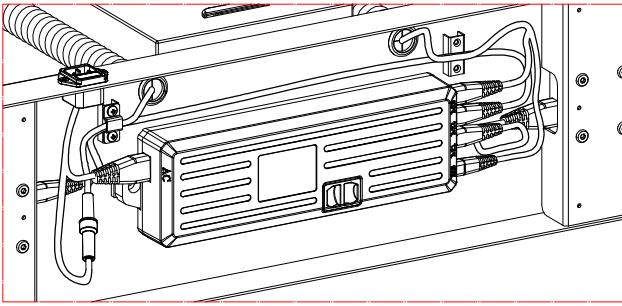


Figure 8

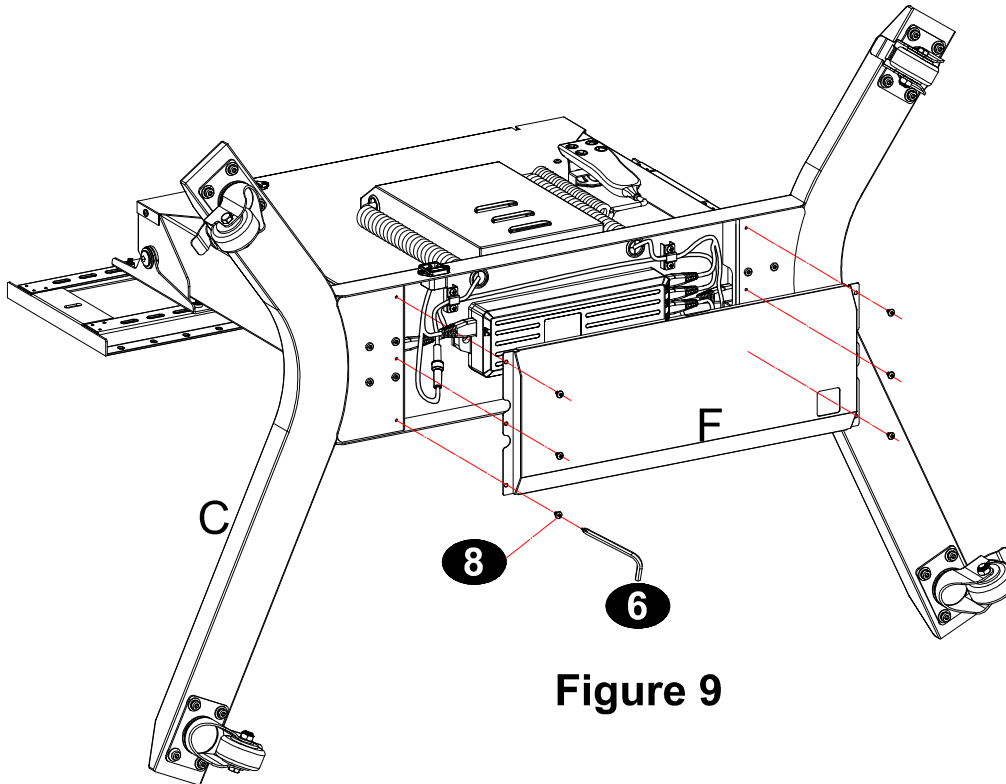


Figure 9

Step 4: Assemble the brackets to the display with suitable bolts, washers and spacers (if required), as Figure 10.”

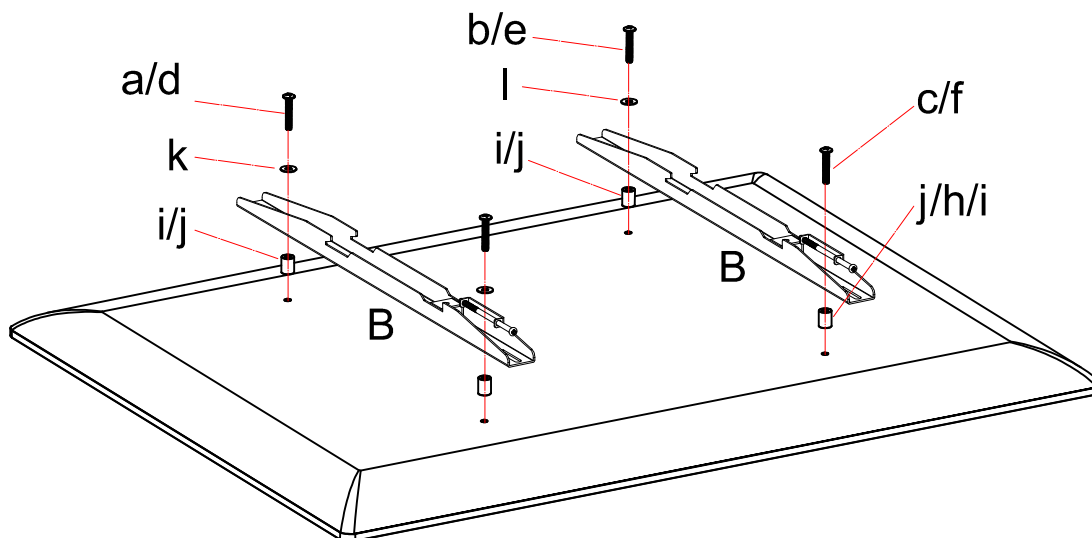


Figure 10

Step 5: Hang the display on the wall column (A)

1) Lean the upper hook of bracket against wall column (A)

2) Make sure the hook is securely hung on wall column (A), as Figure 11.

3) Make the lower end of bracket close to wall column (A).

4) Use the 4mm Allen key (6) to lock M6*10 Screw (1) tightly, as Figure 12 and 13.

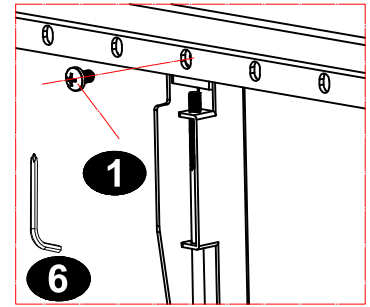
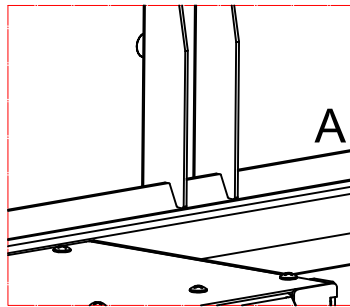
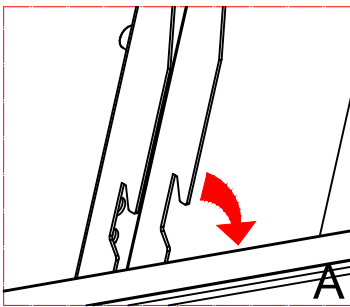
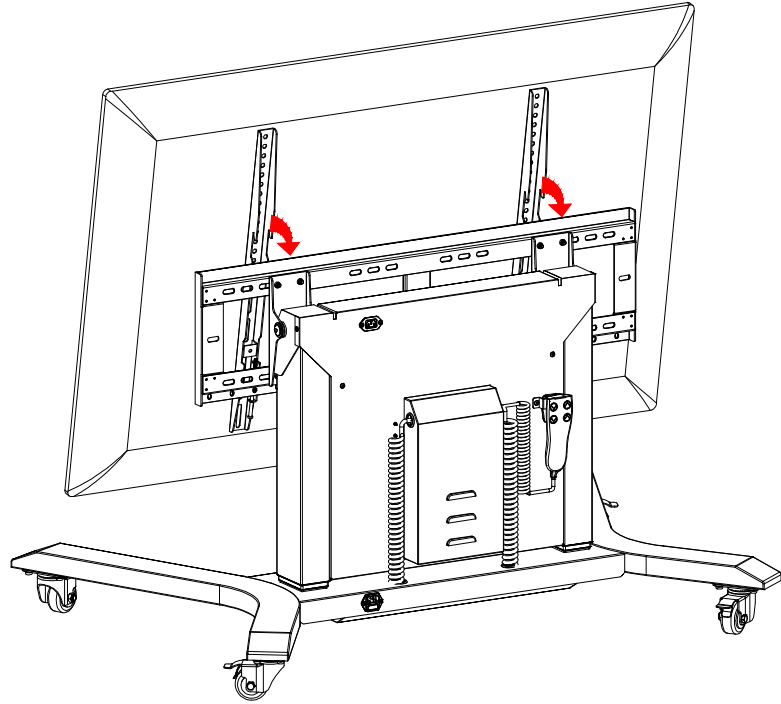
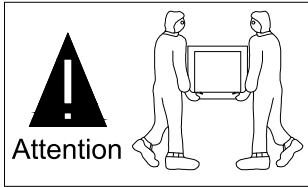


Figure 11

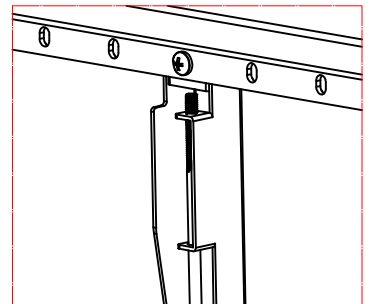
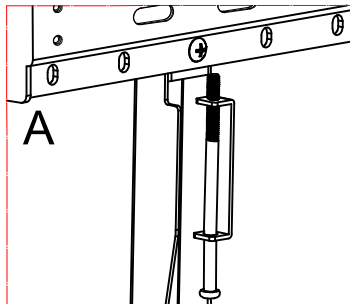
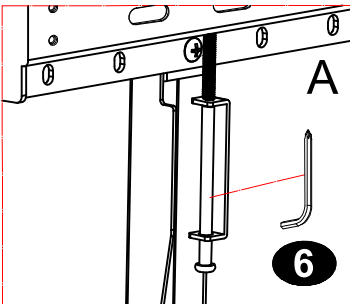
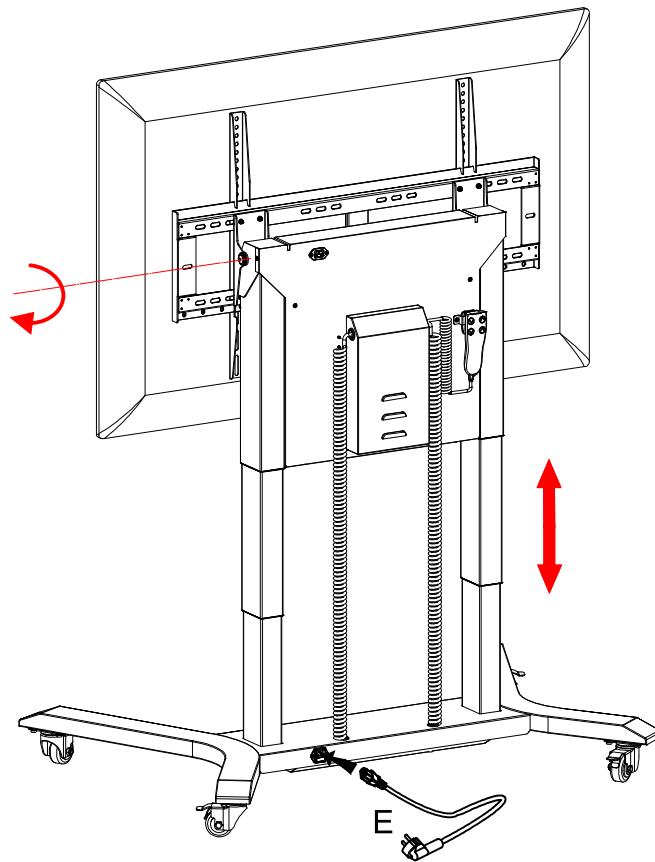


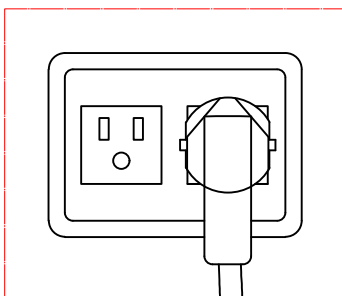
Figure 13

Figure 12

Function test: Plug the power wire (E)into the of the socket on the base, then turn the power on. Test all four button on the remote for correct lifting and tilting functionality.



Plug in



Press the button to rise

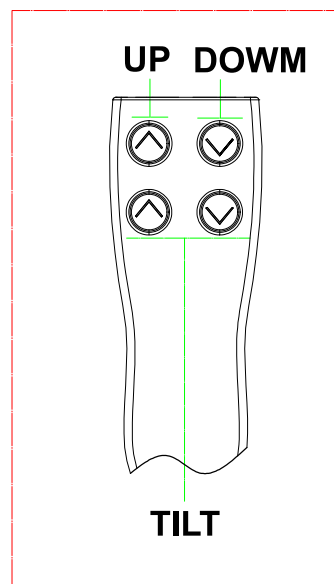
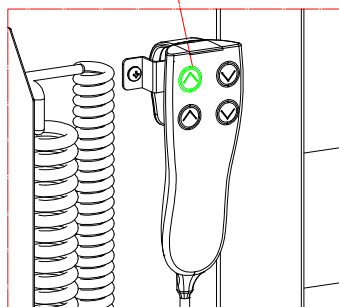


Figure 14

Product dimensions:

